

PROSTRIDE

PSMPK

Assistive technology for lower limb amputations



DESCRIPTION

ProStride knee is an advanced artificial joint designed to provide users with a safe, comfortable, and energy-efficient walking experience. ProStride includes microprocessor technology and a polycentric design helping users to easily initiate the swing phase while conserving energy, adapting to a wide range of walking conditions, and continuously adjusting to users' gait over time.

PART #	DESCRIPTION
PSMPK	ProStride, microprocessor controlled Knee

Recommended for K2-K3 activity levels.



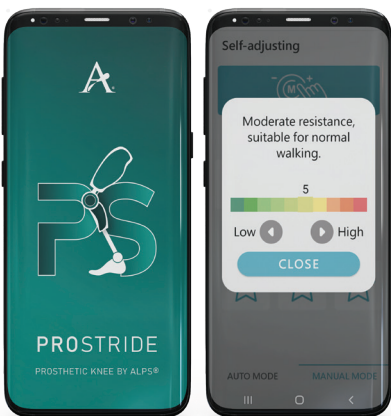
TOP FEATURES & BENEFITS

SMOOTH GAIT CYCLE

USB-C CHARGER

SIMPLE SETUP

SMART PROGRAMMING



Smart programming system thanks to a dedicated user-friendly app



Four-bar pneumatic design and microprocessor technology



3 different sensors to respond quickly to changes in the user's walking needs



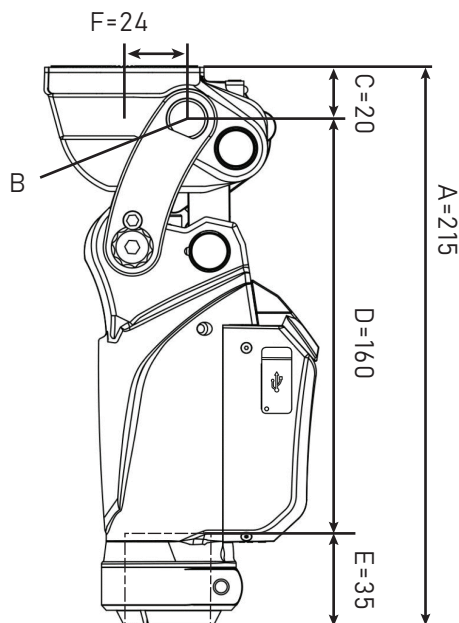
Enhanced ground clearance



Possibility for users to customize settings to meet their specific activity requirements

PROSTRIDE TECHNICAL DETAILS

DIMENSIONS



- A System Height
- B Alignment Reference Point
- C Proximal build height up to the alignment reference point
- D Distal build height up to the alignment reference point
- E Tube insertion length
- F Centro-Bolt to Alignment Reference

Note: All measurements in mm

SPECIFICATIONS

Material	Aluminum alloy (mainly), Stainless steel
System Weight	1.260 gr / 2.78 Lbs
Maximum flexion angle	142 °
Maximum Body Weight	125 Kg / 275 Lbs
Proximal Connection	For connection with standard 4-hole adaptor
Pylon Diameter	30 mm / 1.18 inches
Activity Level	K2 - K3
Compatible Software	Mobile App compatible with Android 9 or later version