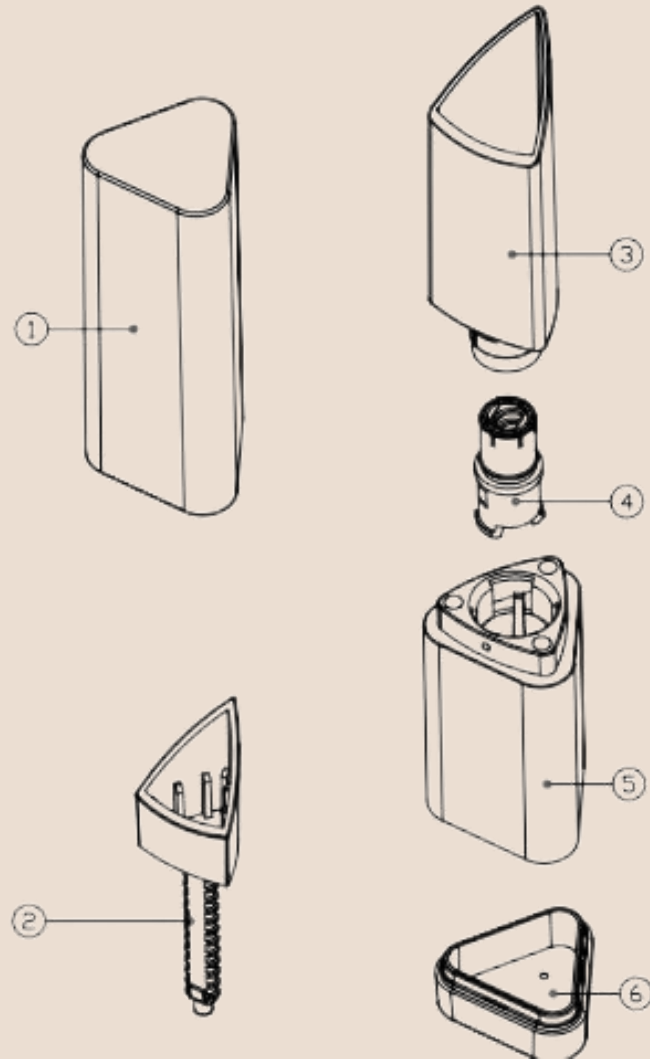


△ JA1102A Triangle stick:

Material:

- ① Cap-ABS
- ② Cup-pp
- ③ Shell-ABS
- ④ Spiral-ABS
- ⑤ Base-ABS
- ⑥ Down Base-ABS

The regular material of this product is the above mentioned, of course, nowadays people's awareness of environmental protection is gradually strengthened, this product can also be produced with PCR material.



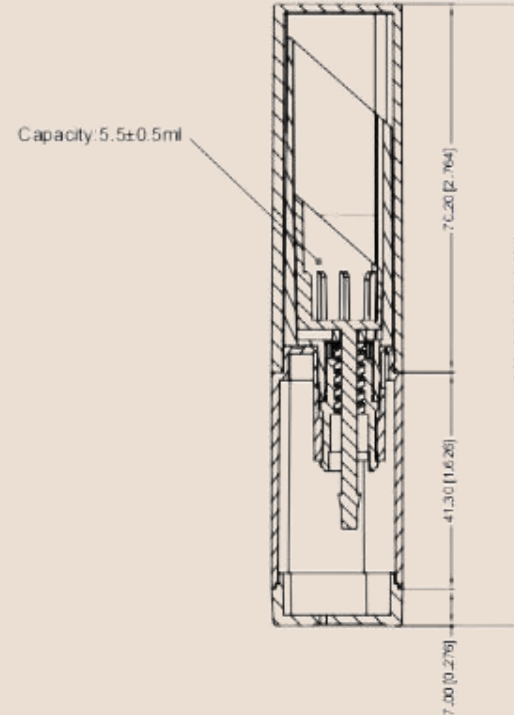
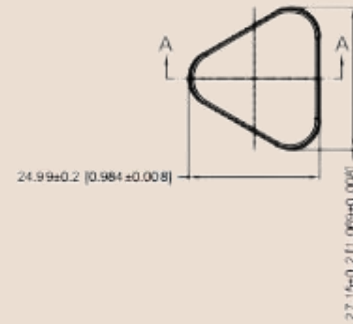
△ JA1102A Triangle stick.

Size

L-24.99*W-27.15*H-118.5

Capacity:

(OFC) 5.5 ± 0.5 ml



SECTION A

△ JA1102A Triangle stick:

Muti-Usage:

- △ Foundation Stick
- △ Blush Stick
- △ Concealer Stick
- △ High Lighter
- △ ...



It can be filled with a variety of rouges according to the function of the product.

△ JA1102A Triangle stick.

Muti-Process

△ Injection Color

△ Metallic

△ Spraying

△ Silkscreen

△ Hot-Stamping

△

We can customize diverse product processes according to your ideas.

