



Hopf Packaging GmbH

Your packaging – made in Germany



02/2024

Our program

Single-walled jars



Round bottles



Double-walled jars



Ampoules and dropper bottles



Glass-look jars



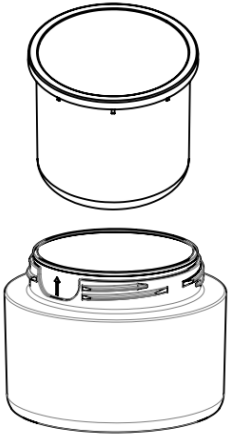
Roll-on bottles



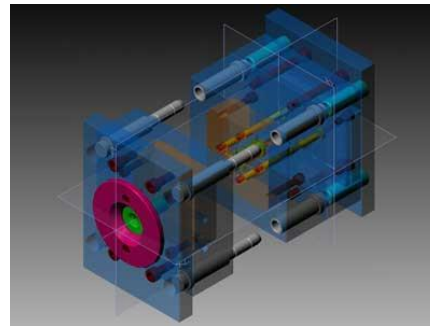
and **much** more...

We make ideas tangible

Ask the specialist – we realize your ideas!



...from planning and construction



... to tool building



...to the finished product

You can choose from our **standard forms** or create your own **custom-made form** with us since we have our **own toolshop**.

Our production processes:

Injection moulding, extrusion blow moulding, injection-stretch blow moulding

From the idea to the **final product** – everything from a **single source**.

Surface Refinement



- Screen printing*
- Hot foil stamping*
- Lacquering
- Metallisation

*. in house

Sustainability

our approaches



Refill jars



Light-weight products



Bio-based material



Recycling /
Mono material



Use of recycling materials

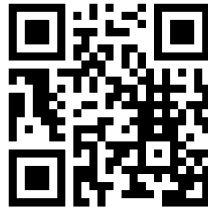


Energy



Our Know-How – your fitting solution

Contact



Hopf Packaging GmbH
Wemdinger Str. 13
86720 Nördlingen
Germany

Contact person:
Mr. Michael Reicherzer
Phone: +49 9081 806 -133

Mail: Michael.Reicherzer@hopf.de
Internet: www.hopf.de

Thank you very much for visiting us.

