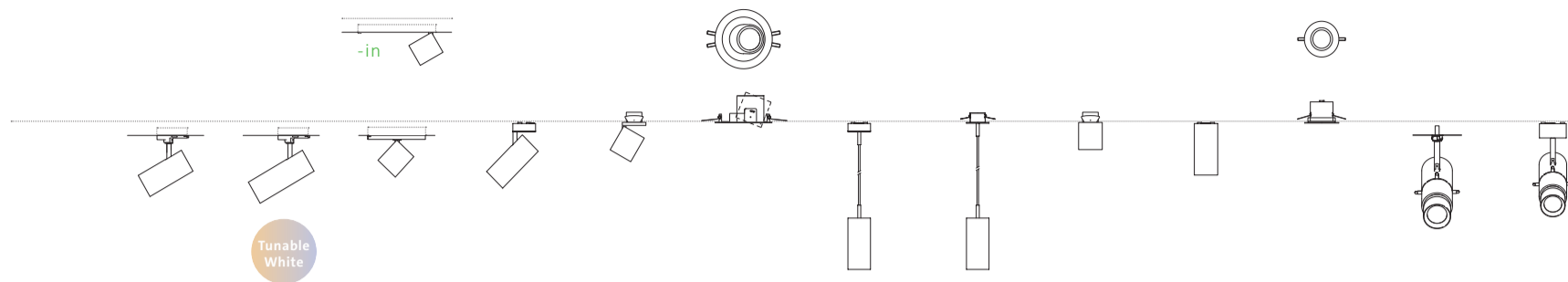


seventies 70's | features of new product family



en



Product type	se-11	se-11-tw	se-12 /-in	se-21	se-31	se-41	se-22	se-32	se-33	se-23	se-43	se-ks-11	se-ks-21
Track light	<input type="checkbox"/>	<input type="checkbox"/>	<input type="checkbox"/>									<input type="checkbox"/>	
Surface mounted (canopy)				<input type="checkbox"/>			(<input type="checkbox"/>)			<input type="checkbox"/>			<input type="checkbox"/>
Recessed mounted (canopy)						<input type="checkbox"/>		(<input type="checkbox"/>)			<input type="checkbox"/>		
Semi-recessed spotlight					<input type="checkbox"/>				<input type="checkbox"/>				
Pendant luminaire							<input type="checkbox"/>	<input type="checkbox"/>					
Joint fixation option	<input type="checkbox"/>	<input type="checkbox"/>		<input type="checkbox"/>								<input type="checkbox"/>	<input type="checkbox"/>
Colour													
RAL 9005	<input type="checkbox"/>	<input type="checkbox"/>	<input type="checkbox"/>	<input type="checkbox"/>	<input type="checkbox"/>	<input type="checkbox"/>	<input type="checkbox"/>	<input type="checkbox"/>	<input type="checkbox"/>	<input type="checkbox"/>	<input type="checkbox"/>	<input type="checkbox"/>	<input type="checkbox"/>
RAL 9016	<input type="checkbox"/>	<input type="checkbox"/>	<input type="checkbox"/>	<input type="checkbox"/>	<input type="checkbox"/>	<input type="checkbox"/>	<input type="checkbox"/>	<input type="checkbox"/>	<input type="checkbox"/>	<input type="checkbox"/>	<input type="checkbox"/>	<input type="checkbox"/>	<input type="checkbox"/>
Colour rendering index													
Ra > 95 (typ. 97)	<input type="checkbox"/>	<input type="checkbox"/>	<input type="checkbox"/>	<input type="checkbox"/>	<input type="checkbox"/>	<input type="checkbox"/>	<input type="checkbox"/>	<input type="checkbox"/>	<input type="checkbox"/>	<input type="checkbox"/>	<input type="checkbox"/>	<input type="checkbox"/>	<input type="checkbox"/>
Light colour / *light quality													
2700 K	<input type="checkbox"/>		<input type="checkbox"/>	<input type="checkbox"/>	<input type="checkbox"/>	<input type="checkbox"/>	<input type="checkbox"/>	<input type="checkbox"/>	<input type="checkbox"/>	<input type="checkbox"/>	<input type="checkbox"/>	<input type="checkbox"/>	<input type="checkbox"/>
3000 K	<input type="checkbox"/>		<input type="checkbox"/>	<input type="checkbox"/>	<input type="checkbox"/>	<input type="checkbox"/>	<input type="checkbox"/>	<input type="checkbox"/>	<input type="checkbox"/>	<input type="checkbox"/>	<input type="checkbox"/>	<input type="checkbox"/>	<input type="checkbox"/>
4000 K	<input type="checkbox"/>		<input type="checkbox"/>	<input type="checkbox"/>	<input type="checkbox"/>	<input type="checkbox"/>	<input type="checkbox"/>	<input type="checkbox"/>	<input type="checkbox"/>	<input type="checkbox"/>	<input type="checkbox"/>	<input type="checkbox"/>	<input type="checkbox"/>
Tunable white		<input type="checkbox"/>											
Natural*	<input type="checkbox"/>		<input type="checkbox"/>	<input type="checkbox"/>	<input type="checkbox"/>	<input type="checkbox"/>	<input type="checkbox"/>	<input type="checkbox"/>	<input type="checkbox"/>	<input type="checkbox"/>	<input type="checkbox"/>	<input type="checkbox"/>	<input type="checkbox"/>
Brilliant*	<input type="checkbox"/>		<input type="checkbox"/>	<input type="checkbox"/>	<input type="checkbox"/>	<input type="checkbox"/>	<input type="checkbox"/>	<input type="checkbox"/>	<input type="checkbox"/>	<input type="checkbox"/>	<input type="checkbox"/>	<input type="checkbox"/>	<input type="checkbox"/>
Horticulture*	<input type="checkbox"/>		<input type="checkbox"/>	<input type="checkbox"/>	<input type="checkbox"/>	<input type="checkbox"/>	<input type="checkbox"/>	<input type="checkbox"/>	<input type="checkbox"/>	<input type="checkbox"/>	<input type="checkbox"/>	<input type="checkbox"/>	<input type="checkbox"/>
LED module													
LES 10 mm (d1)	<input checked="" type="checkbox"/>		<input checked="" type="checkbox"/>	<input checked="" type="checkbox"/>	<input checked="" type="checkbox"/>	<input checked="" type="checkbox"/>							
LES 14,5 mm (d2)		<input checked="" type="checkbox"/>	<input checked="" type="checkbox"/>	<input checked="" type="checkbox"/>			<input checked="" type="checkbox"/>	<input checked="" type="checkbox"/>	<input checked="" type="checkbox"/>	<input checked="" type="checkbox"/>	<input checked="" type="checkbox"/>	<input checked="" type="checkbox"/>	<input checked="" type="checkbox"/>
LES 9 mm (t1)		<input checked="" type="checkbox"/>											
LES 13 mm (t2)		<input checked="" type="checkbox"/>											
Reflector													
11° / 16°	11°	11°	11°	11°	11°	11°							
13° / 16°	13°	13°	13°	13°	13°	13°	16°	16°					
17° / 20°	20°	20°	20°	20°	17°	17°	20°	20°	20°	20°	20°	20°	Illuminatable format from a distance of 3 m: max. 84,1 cm x 118,9 cm
26° / 30°	30°	30°	30°	30°	26°	26°	30°	30°	30°	30°	30°	30°	
37° / 40°	40°	40°	40°	40°	37°	37°	40°	40°	40°	40°	40°	40°	
47° / 52°	52°	52°	52°	52°	47°	47°	52°	52°	52°	52°	52°	52°	
Focusing accessory													
with focusing unit se-fe-01	11°-48°	11°-48°	11°-48°	11°-48°	11°-48°	11°-48°							
with focusing unit se-fe-02	15°-50°	15°-50°	15°-50°	15°-50°			15°-50°	15°-50°	15°-50°	15°-50°	15°-50°	15°-50°	
Wattage													
9 W (tunable white only)		<input type="checkbox"/>											
18 W	<input type="checkbox"/>	<input type="checkbox"/>		<input type="checkbox"/>									
17 W		<input type="checkbox"/>			<input type="checkbox"/>								
26 W	<input type="checkbox"/>		<input type="checkbox"/>	<input type="checkbox"/>	<input type="checkbox"/>	<input type="checkbox"/>							
24 W		<input type="checkbox"/>		<input type="checkbox"/>					<input type="checkbox"/>	<input type="checkbox"/>	<input type="checkbox"/>	<input type="checkbox"/>	<input type="checkbox"/>
31 W	<input type="checkbox"/>				<input type="checkbox"/>		<input type="checkbox"/>	<input type="checkbox"/>					
37 W	<input type="checkbox"/>				<input type="checkbox"/>								
Dimming													
-2 Rotary potentiometer 0-/1-10 V	<input type="checkbox"/>			<input type="checkbox"/>									<input type="checkbox"/>
-4 DALI	<input type="checkbox"/>	<input type="checkbox"/>	<input type="checkbox"/> (TI/-in)	<input type="checkbox"/>	<input type="checkbox"/>	<input type="checkbox"/>	<input type="checkbox"/>	<input type="checkbox"/>	<input type="checkbox"/>	<input type="checkbox"/>	<input type="checkbox"/>	<input type="checkbox"/>	<input type="checkbox"/>
-5 Trailing edge phase	<input type="checkbox"/> (24W)			<input type="checkbox"/> (24W)									
-7 Leading edge/trailing edge									<input type="checkbox"/> (24W)		<input type="checkbox"/> (24W)		
-9 Bluetooth	<input type="checkbox"/>	<input type="checkbox"/>	<input type="checkbox"/> (TI)	<input type="checkbox"/>	<input type="checkbox"/>	<input type="checkbox"/>	<input type="checkbox"/>	<input type="checkbox"/>	<input type="checkbox"/>	<input type="checkbox"/>	<input type="checkbox"/>	<input type="checkbox"/>	<input type="checkbox"/>
Control gear													
included	<input type="checkbox"/>	<input type="checkbox"/>	<input type="checkbox"/>	<input type="checkbox"/>			<input type="checkbox"/>	<input type="checkbox"/>		<input type="checkbox"/>		<input type="checkbox"/>	<input type="checkbox"/>
not included					<input type="checkbox"/>	<input type="checkbox"/>			<input type="checkbox"/>		<input type="checkbox"/>		