

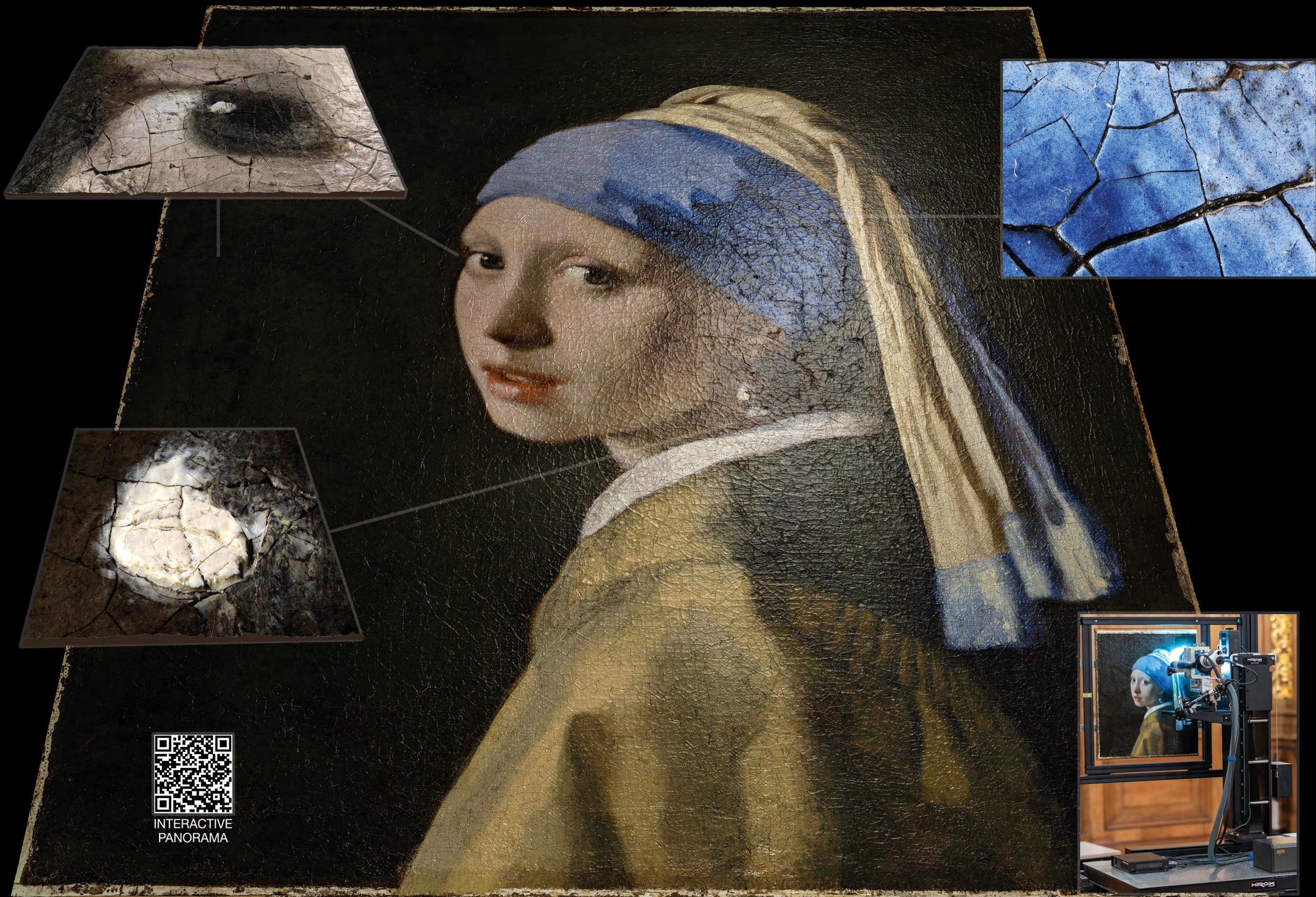
STATE OF THE ART IN 3D DIGITAL MICROSCOPY
HIROX HRX-01



KEEPING ART ALIVE

- ▶ OPTICAL EXCELLENCE
superb image quality
- ▶ CUSTOM XYZ STANDS
for your application
- ▶ SAMPLE OF ANY SIZE
from microns to meters
- ▶ AUTO 3D SCANNING
with gigapixel scan
- ▶ 2D/3D MEASUREMENT
with depth measurement
- ▶ MULTIPLE LIGHTING
BF/DF/P/UV/BL/SL/IR
- ▶ WIDE ZOOM RANGE
from 0,1x up to 7000x
- ▶ PORTABLE SYSTEM
easy to use with laptop

THE UNIVERSAL INSPECTION & MEASUREMENT SYSTEM FOR ART RESTAURATION



3D view of Vermeer's *Girl with a Pearl Earring*, Mauritshuis: 108 Billion pixels 3D scan made with the Hirox Digital Microscope HRX-01 at 90x, 1 pixel = 1.3 um



MULTIPLE ADAPTERS INCL. ROTARY HEAD & UV LIGHTING

SCAN & SERVICE



HIROX rotary head



Gold setting with rotary head



Without UV

With UV



On-Site scanning service

CUSTOM MADE XYZ STANDS FOR ANY OBJECTS & ANY SIZE



New Multi-joint Flexible arm stand for 3D objects



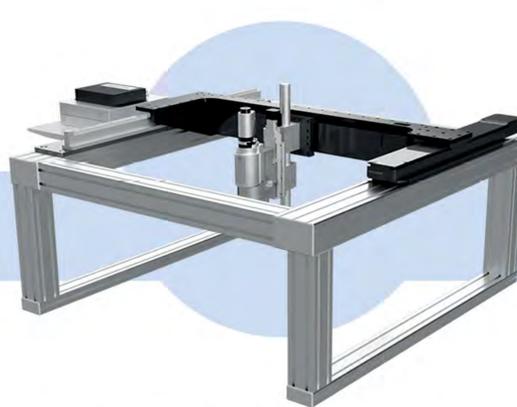
Large bridge stand for high stability flat objects



Mobile T-stand for horizontal scan of paintings with no size limit



XL flexible mobile gantry on wheels for extra large flat objects



XL gantry with large scanning area for heavy objects



Laboratory stand with inclination auto XYZ for objects up to 20cm

USED FOR A WIDE RANGE OF APPLICATIONS IN MANY MUSEUMS

Archaeological Materials
Documentation
Education and Training
Glass and Ceramics
Graphic Documents
Leather Materials
Metals
Modern & Contemporary
Murals, Stone and Rock

Natural History collections
Paintings
Photographic Materials
Preventive Conservation
Scientific Research
Sculpture
Textiles
Wood / Furniture
... and more

